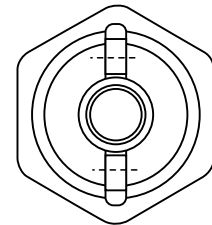
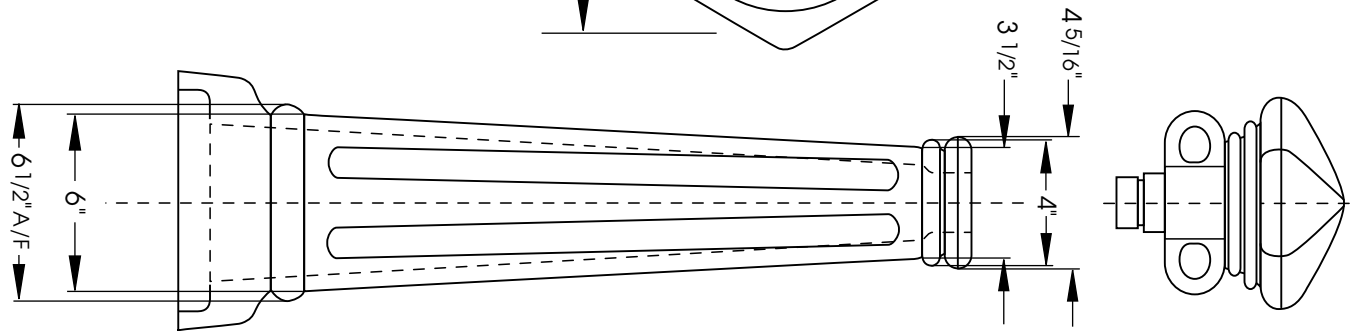
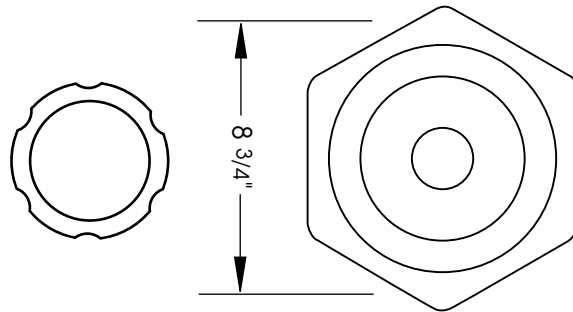


SECTION A-A



NOTES:

*MATERIAL: DUCTILE CAST IRON ASTM, A536, CL 80-55-06

OLYMPIC FOUNDRY INC.

CB-B CAST BOLLARD

APPROXIMATE WEIGHT: 92 lbs.

RATING: N/A

PART NO. 84-4100