

NOTES:
 *3/4" THICK GRATE
 *TWO PIECE SET

OLYMPIC FOUNDRY INC.
 48" SQUARE "PLM" TREE GRATE

MATL: DUCTILE IRON ASTM A536, CL 80-55-06

RATING: ADA PART NO. 80-2280

APPROX WT: 296 LBS. PER SET

REV: A DATE: 05/03/03 CREATED DRAWING

DOCUMENT APPROVED

DWN: CL DATE: 06/03/03

REV: A DATE: 05/20/03 REVISED WEIGHT

BY: DATE:

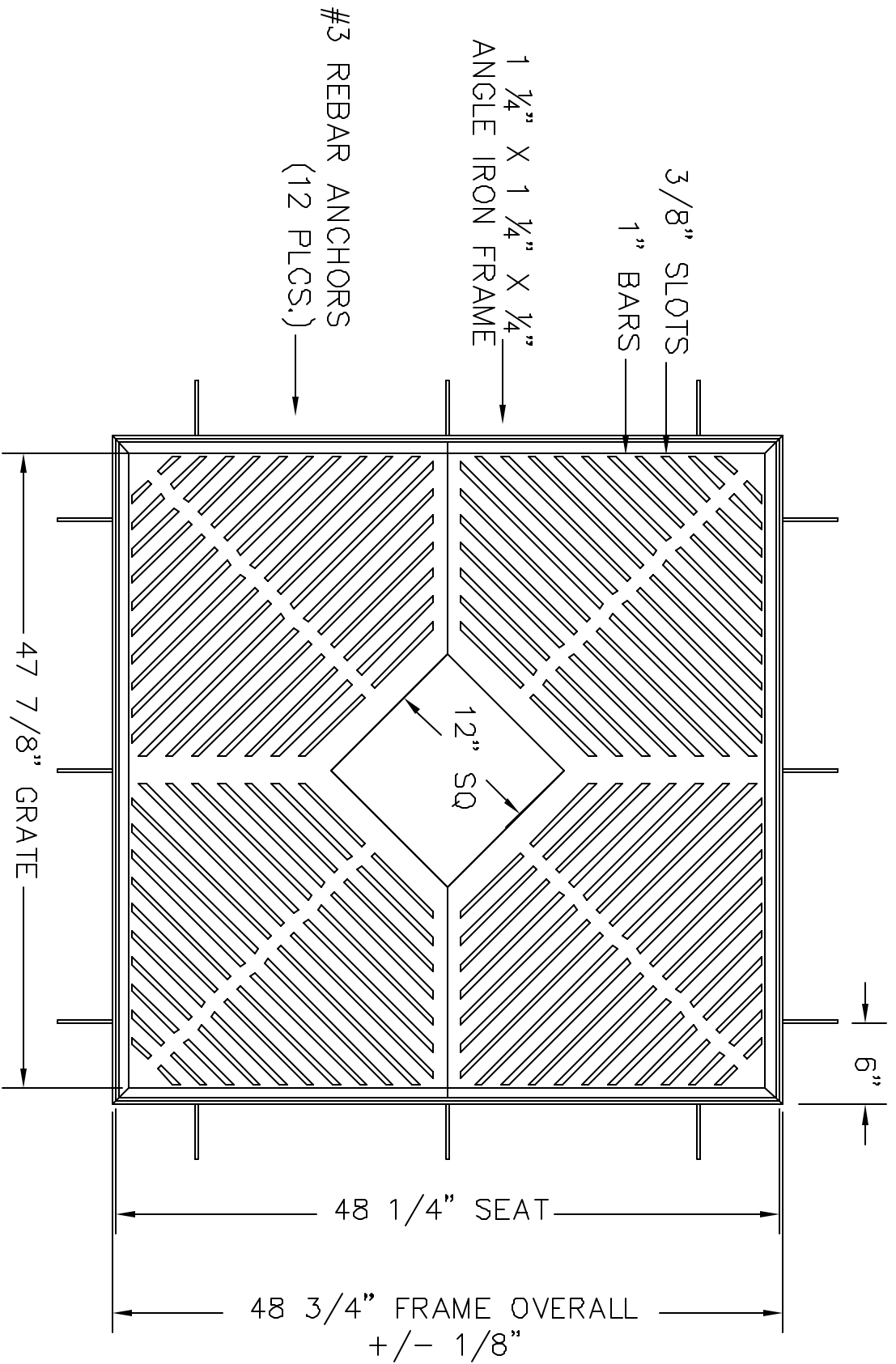
CHKD: CL DATE: 05/20/03

TOLERANCE
 .005 ± .005
 .010 ± .010
 .030 ± .030
 .060 ± .060
 .125 ± .125
 .250 ± .250
 .500 ± .500
 1.000 ± 1.000
 2.000 ± 2.000

DWG # PLM 48

SCALE: N/A

SHEET: 1 OF 1



REV. B DATE: 12/05/02

NOTES:

*MATERIAL: DUCTILE IRON ASTM A536, CL 80-55-06

*TWO PIECE SET

*3/4" THICK GRATE

OLYMPIC FOUNDRY INC.

48" SQUARE STYLE "PLM" TREE GRATE

APPROXIMATE WEIGHT: 280 LBS. PER SET

RATING: ADA

PART NO. 80-2280/82-2000