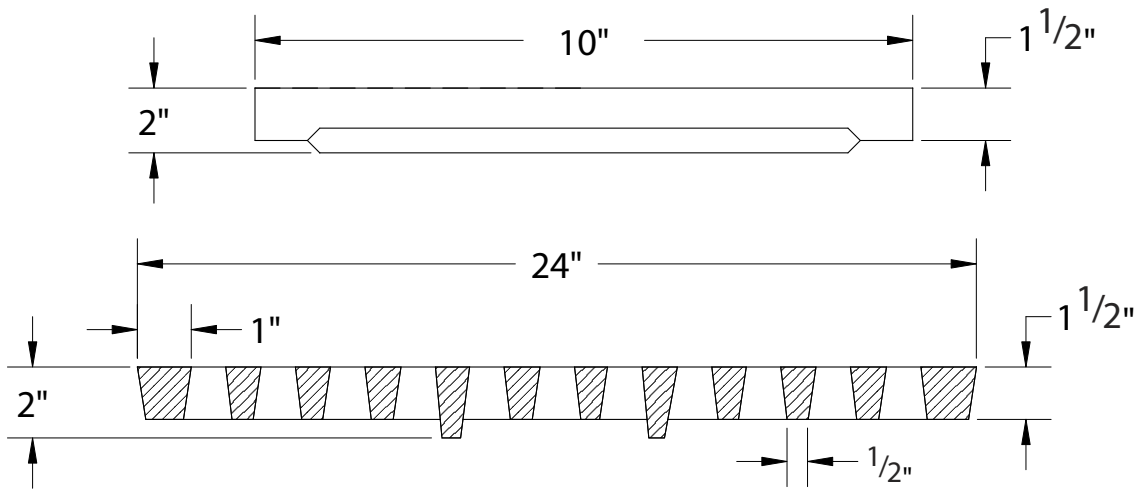


* 1" BARS (TYP.), 1" SLOTS (TYP.) NOT TO EXCEED 8" LONG



NOTES:

OLYMPIC FOUNDRY INC.

10" X 24" X 1 1/2" STYLE "A"
TRENCH GRATE

MATL: DUCTILE IRON ASTM A536, CL 80-55-06

RATING: H-20

PART NO. T2410

APPROX WT: 50 LBS.

REV: A DATE: 6/23/03 NEW BORDER

DOCUMENT APPROVED

DWN: CL DATE: 06/23/03

TOLERANCE
XX ±.1
XXX ±.06
XXXX ±.030
< ± 2 DEG

REV: X DATE: XX/XX/XX DSC:

REV
A

BY: DATE:

CHKD: CL DATE: 06/23/03

DWG #: T2410

SCALE: N/A

SHEET: 1 OF 1