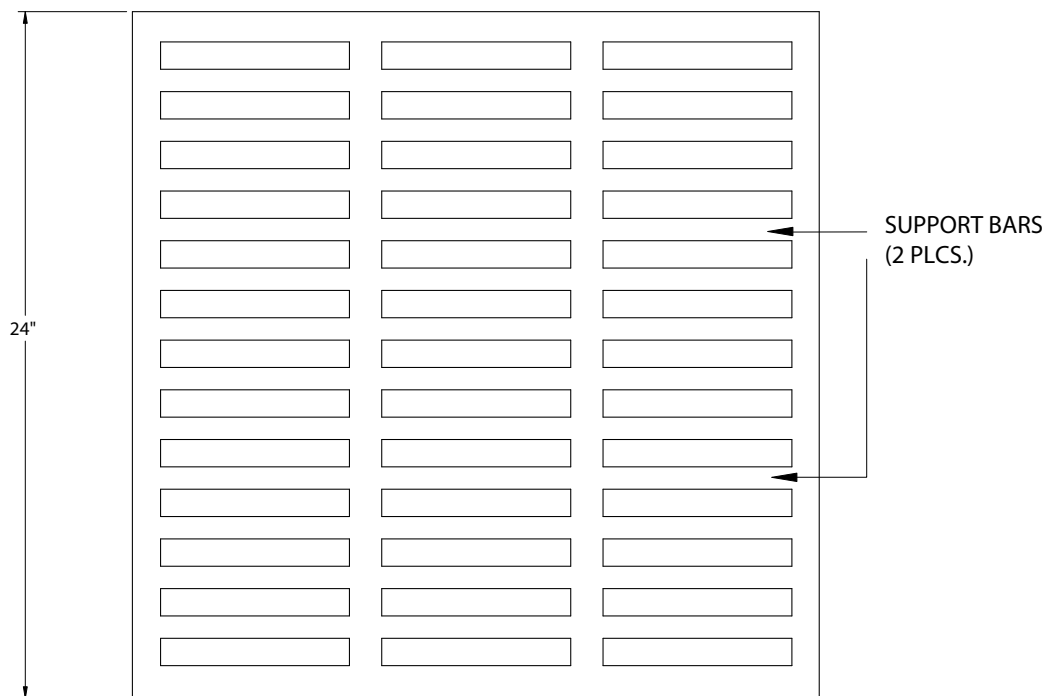
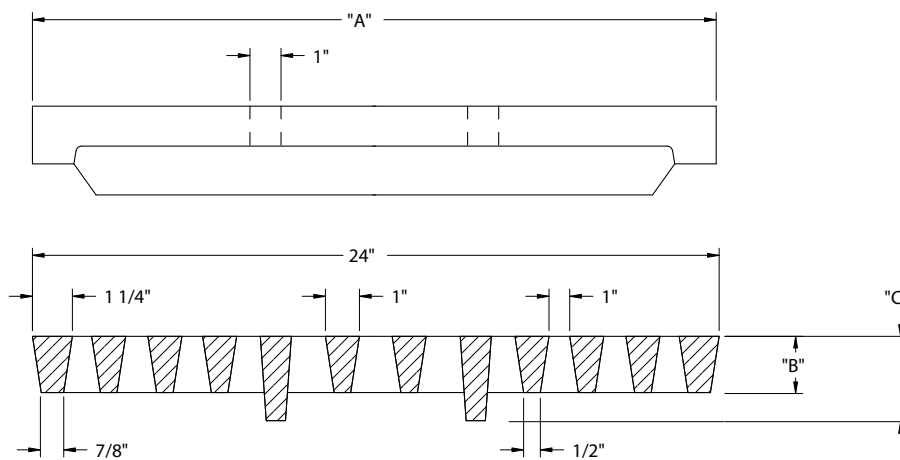


1" = 25.4 millimeters
 1 pound = .453592 kilograms



* 1" BARS (TYP), 1" SLOTS (TYP) NOT TO EXCEED 8" LONG



PART #	"A"	"B"	"C"	WT.
T2424A	24"	1 1/2"	2"	100
T2426A	26"	1 1/2"	2"	118
T2433A	33"	2"	2 1/2"	178
T2437A	37"	2"	2 1/2"	205
T2441A	41"	2"	2 1/2"	215
T2445A	45"	2"	2 1/2"	235
T2451A	51"	2"	4 1/2"	260

NOTES:
 CAN BE SUPPLIED LOCKING

OLYMPIC FOUNDRY INC.

STYLE A TRENCH GRATING SIZES
 24" THRU 51"

MATL: DUCTILE IRON ASTM A536, CL 80-55-06

RATING: H-20

PART NO. T24

APPROX WT: SEE ABOVE

REV: A DATE: 6/23/03 NEW BORDER

DOCUMENT APPROVED
 BY: DATE:

DWN: CL DATE: 06/23/03

CHKD: CL DATE: 06/23/03

TOLERANCE
 XX ±.1
 XXX ±.06
 XXXX ±.030
 < ± 2 DEG

REV: X DATE: XX/XX/XX DSC:

DWG #: T2424-T2451

SCALE: N/A

SHEET: 1 OF 1

REV
 A