

## SPECIFICATIONS

### MATERIAL

**Wood:** Wood shall be 8 ea. 3-1/2" x 3-1/2" boards. Leading edges radiused 1/2", all other edges eased. All boards are 2 inches shorter than nominal size. For example, 6 ft. bench would be 5 ft. 10 in. out to out.

**Frame:** The frame shall be fabricated 1/2" x 4" mild steel strap fully welded .120 x 3" x 3" square steel tube.

### FASTENERS

Wood shall be attached to frames with 3/8" x 4-1/2" carriage bolts in all locations.

**option:** 3/8" x 2-1/2" lag bolts  
Mounting hardware by others.

### PROTECTIVE COATINGS

**Wood:** clear wood preservative and stabilizer  
**Metal:** All metal elements, following fabrication shall be cleaned and treated with an iron phosphate process prior to the coating application. This process shall include a non-chromated alkaline cleaner, and an iron phosphate treatment followed with an acidic sealer for maximum adhesion. The protective coatings shall be either polyester or polyester TGIC powder. Following application the parts shall be baked until properly cured. The coating shall be a minimum of 4 mils thick on all surfaces.

### OPTIONS

**Mountings:** Surface mount or embed  
**Length:** 5 to 8 ft. standard, other lengths available  
**Wood:** Western red cedar, clear vg Douglas Fir, lpe other species available on request.  
**Recycled Plastic:** Grey, cedar, weathered wood, light oak

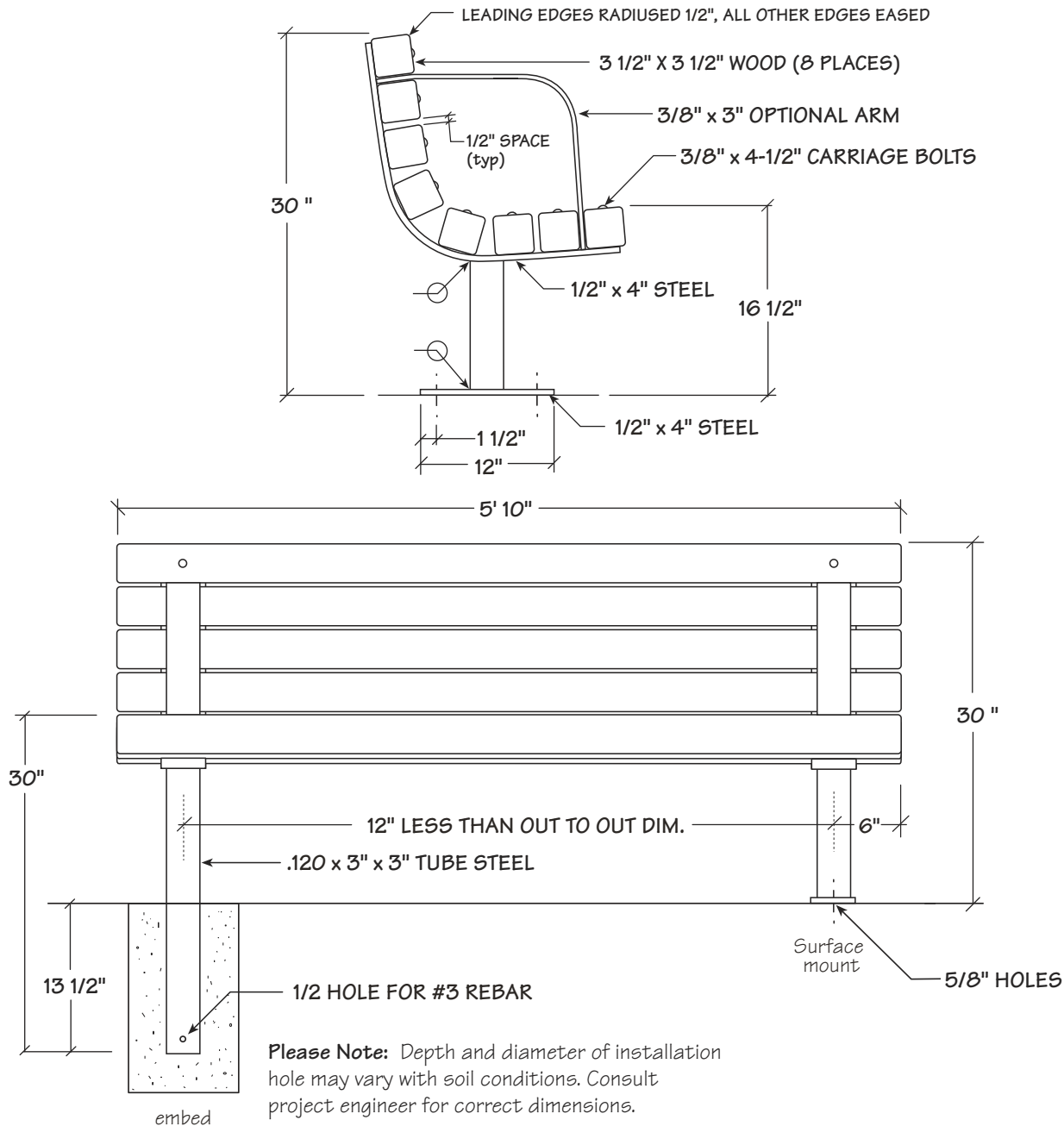
## Transit Series, Model T-2 Bench

### FairWeather Site Furnishings

360-895-2626 or Toll Free 800-323-1798

Port Orchard, Washington

©1999-2003 Leader International Corporation,  
FairWeather Site Furnishings division



## SPECIFICATIONS

### MATERIAL

**Wood:** Wood shall be 8 ea. 3-1/2" x 3-1/2" boards. Leading edges radiused 1/2", all other edges eased. All boards are 2 inches shorter than nominal size. For example, 6 ft. bench would be 5 ft. 10 in. out to out.

**Frame:** The frame shall be fabricated 1/2" x 4" mild steel strap fully welded .120 x 3" x 3" square steel tube. Optional arm shall be fabricated with 3/8" x 3" steel strap fully welded.

### FASTENERS

Wood shall be attached to frames with 3/8" x 4-1/2" carriage bolts in all locations.

**option:** 3/8" x 2-1/2" lag bolts  
Mounting hardware by others.

### PROTECTIVE COATINGS

**Wood:** clear wood preservative and stabilizer

**Metal:** All metal elements, following fabrication shall be cleaned and treated with an iron phosphate process prior to the coating application. This process shall include a non-chromated alkaline cleaner, and an iron phosphate treatment followed with an acidic sealer for maximum adhesion. The protective coatings shall be either polyester or polyester TGIC powder. Following application the parts shall be baked until properly cured. The coating shall be a minimum of 4 mils thick on all surfaces.

### OPTIONS

**Mountings:** Surface mount or embed

**Length:** 5 to 8 ft. standard, other lengths available

**Wood:** Western red cedar, clear vg Douglas Fir, lpe other species available on request.

**Recycled Plastic:** Grey, cedar, weathered wood, light oak

## Transit Series, Model T-2 Bench with Optional Arm

### FairWeather Site Furnishings

360-895-2626 or Toll Free 800-323-1798

Port Orchard, Washington

©1999-2003 Leader International Corporation,  
FairWeather Site Furnishings division