

REV. B DATE: 12/20/02

NOTES:

- *FABRICATED MILD STEEL
- *FURNISHED BARE UNLESS OTHERWISE SPECIFIED

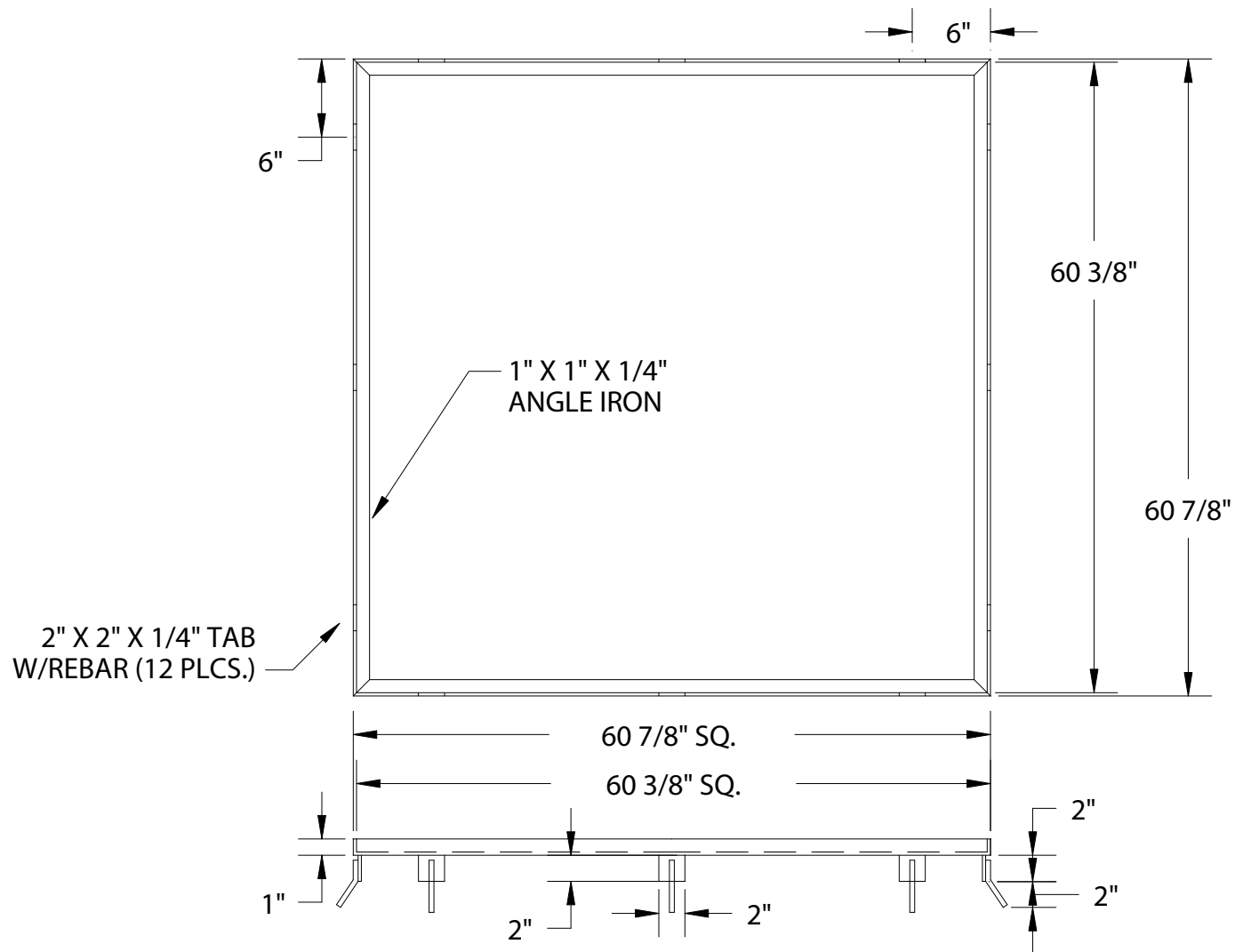
OLYMPIC FOUNDRY INC.

60" SQUARE "CI" TREE GRATE FRAME

APPROXIMATE WEIGHT: 50 LBS.

RATING: N/A

PART NO. 82-3040



REV. B DATE: 12/31/02

NOTES:

*FABRICATED MILD STEEL

*FURNISHED BARE UNLESS OTHERWISE SPECIFIED

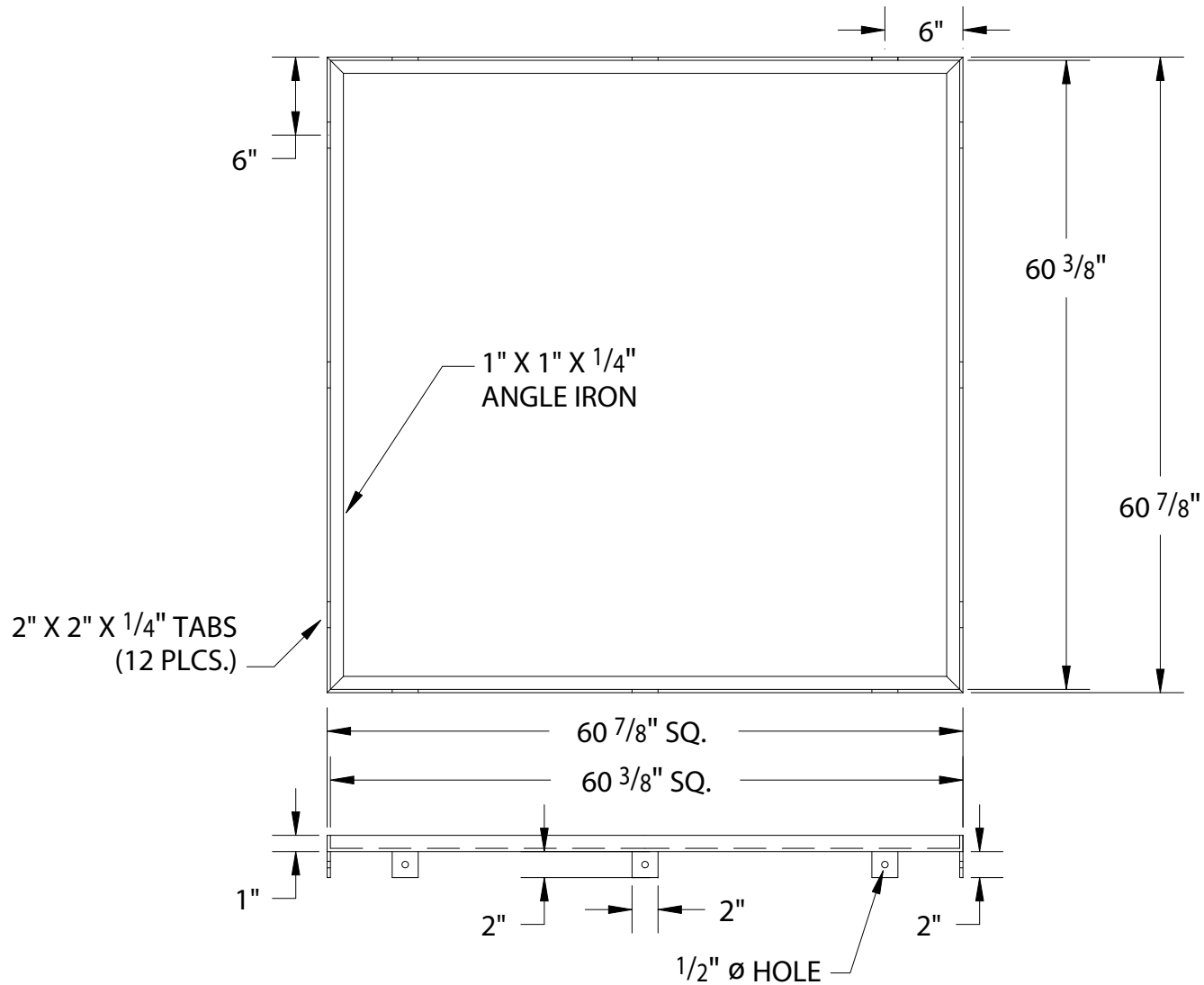
OLYMPIC FOUNDRY INC.

60" SQUARE "CIP" TREE GRATE FRAME

APPROXIMATE WEIGHT: 50 LBS.

RATING: N/A

PART NO. 82-3035



REV. B DATE: 12/31/02

NOTES:

*FABRICATED MILD STEEL

*FURNISHED BARE UNLESS OTHERWISE SPECIFIED

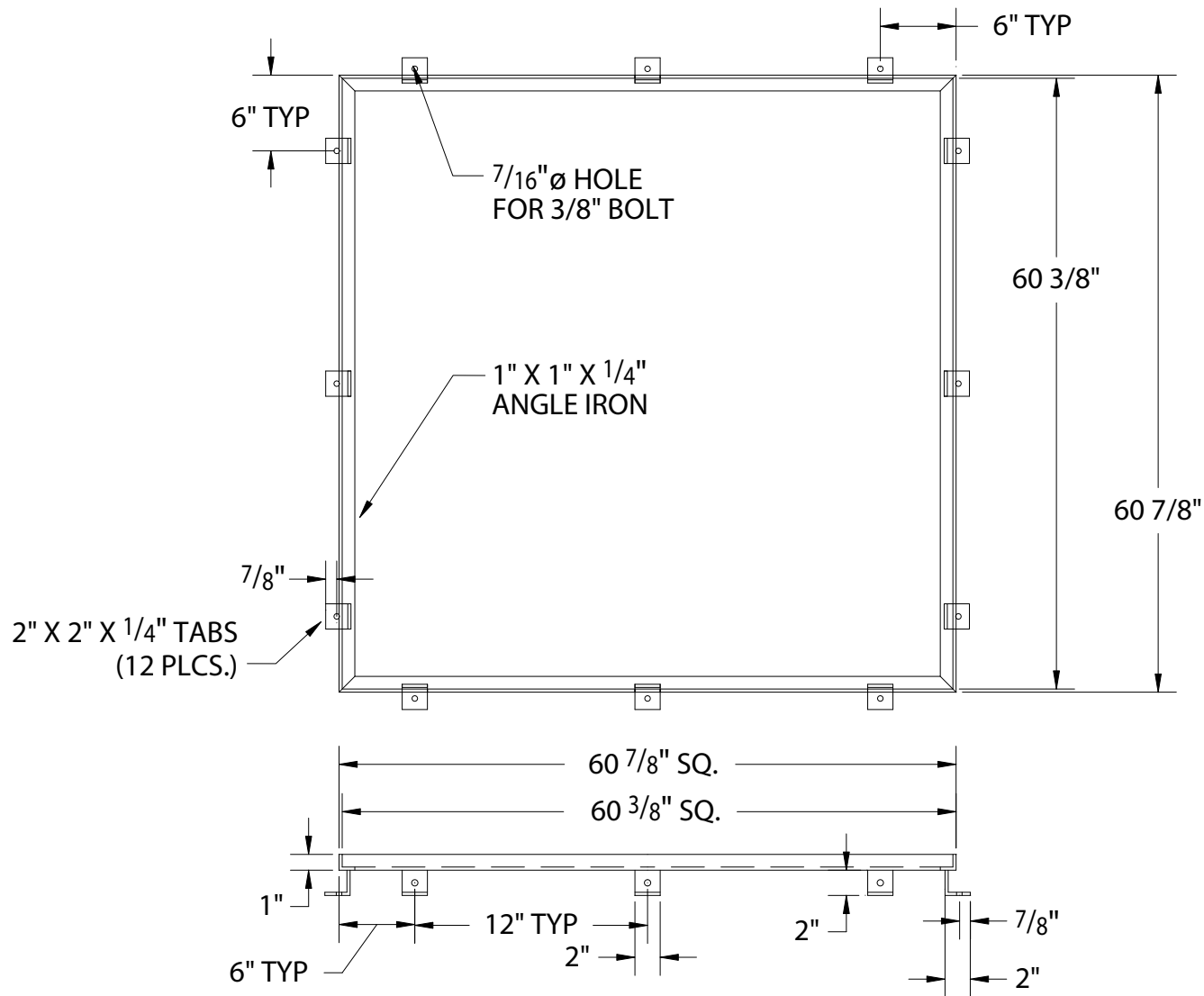
OLYMPIC FOUNDRY INC.

60" SQUARE "RF" TREE GRATE FRAME

APPROXIMATE WEIGHT: 50 LBS.

RATING: N/A

PART NO. 82-3010



REV. B DATE: 12/31/02

NOTES:

*FABRICATED MILD STEEL

*FURNISHED BARE UNLESS OTHERWISE SPECIFIED

OLYMPIC FOUNDRY INC.

60" SQUARE "AP" TREE GRATE FRAME

APPROXIMATE WEIGHT: 50 LBS.

RATING: N/A

PART NO. 82-3020