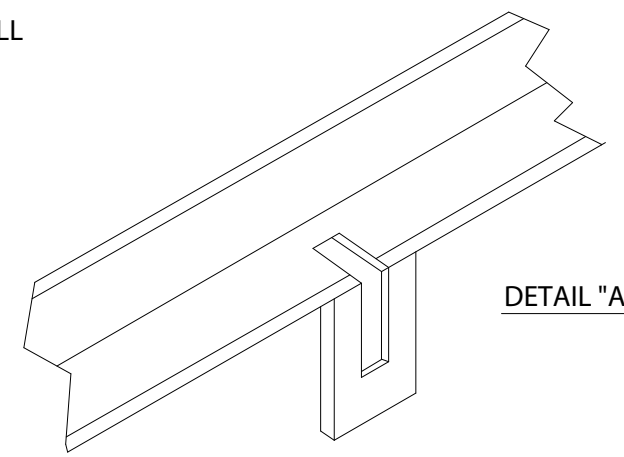
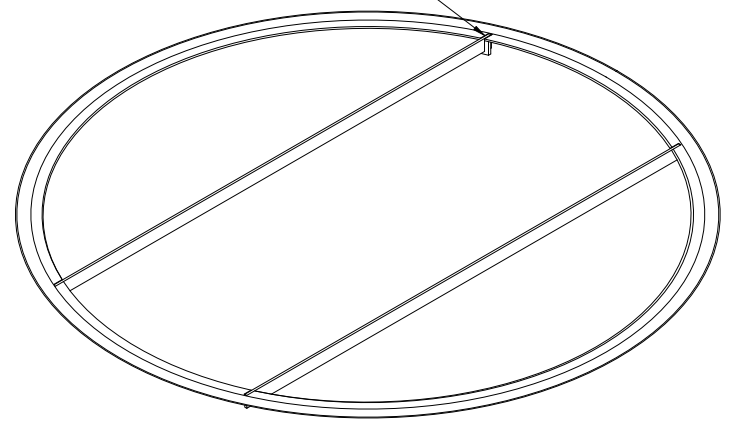
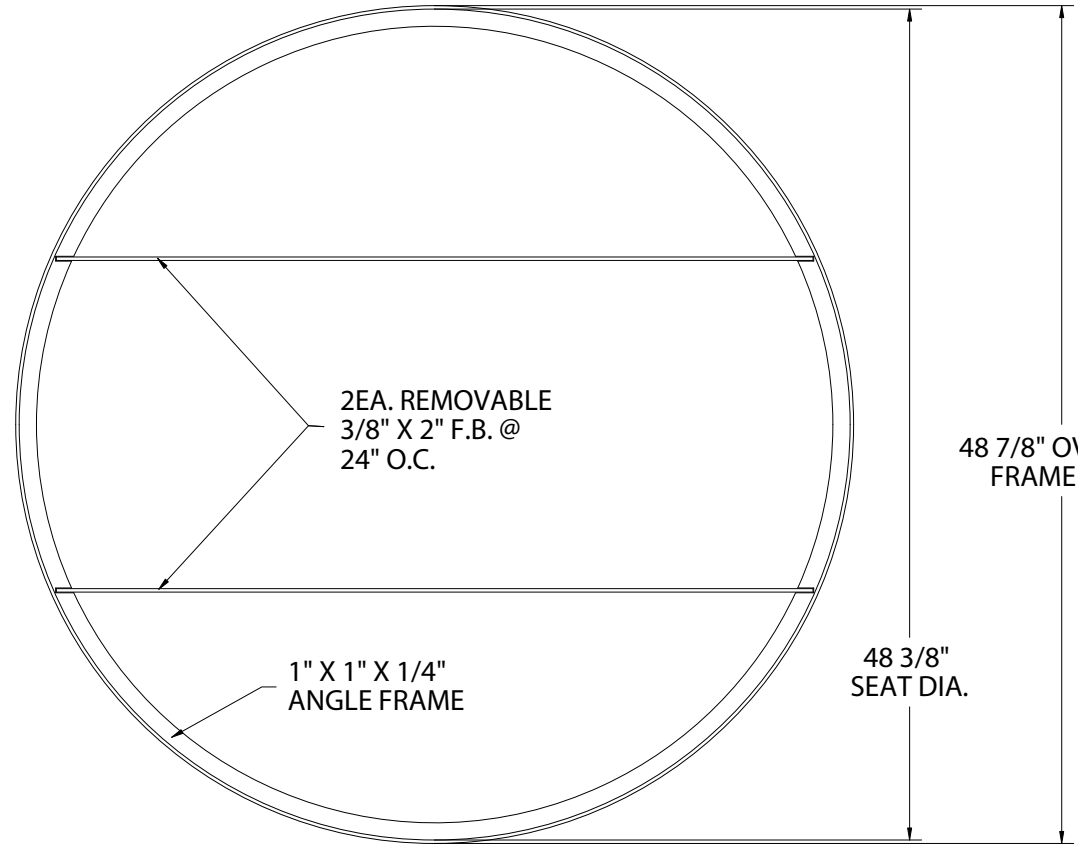


SEE "A" FOR CLIP DETAILS



DETAIL "A"

2 1/2" X 1/2" SADDLE CLIP (4 PLCS)



2EA. REMOVABLE  
3/8" X 2" F.B. @  
24" O.C.

1" X 1" X 1/4"  
ANGLE FRAME

48 7/8" OVERALL  
FRAME DIA.

48 3/8"  
SEAT DIA.

NOTES:  
\*MATERIAL - SEE ABOVE

**OLYMPIC FOUNDRY INC.**

48" ROUND TREE GRATE FRAME

APPROXIMATE WEIGHT: 40 LBS.

RATING: PED.

PART NO. CI48R