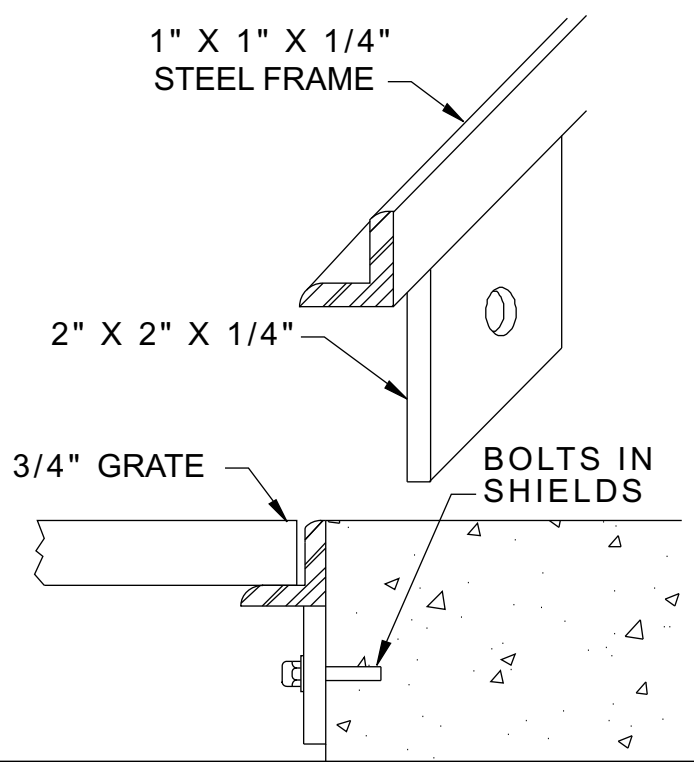
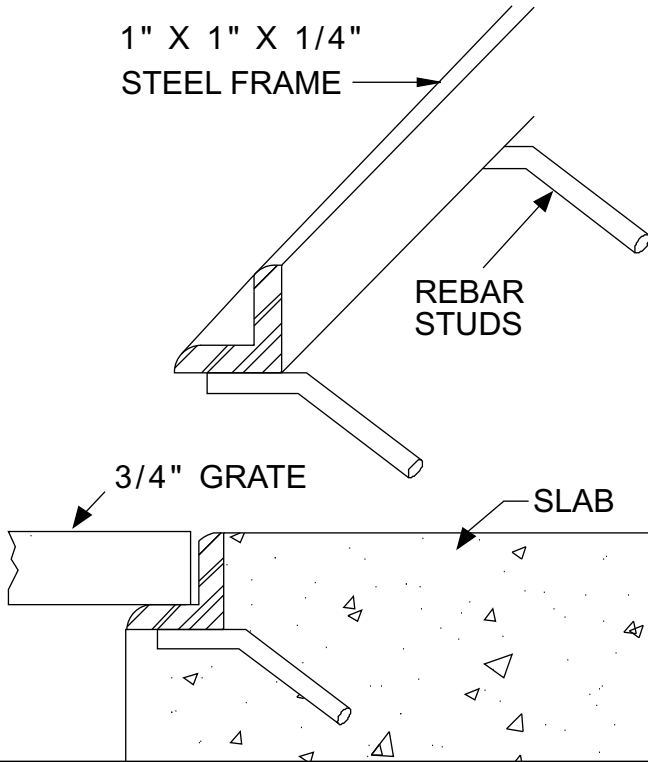


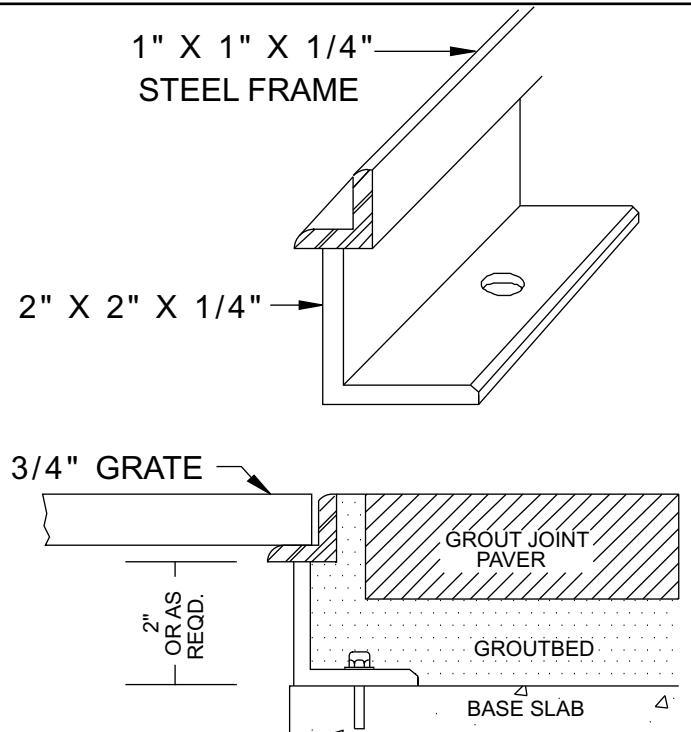
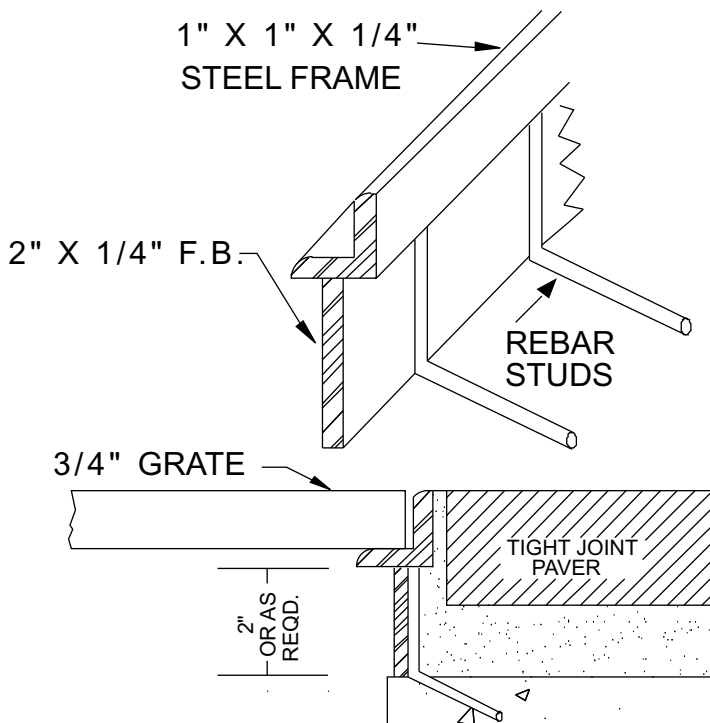
STYLE "CI" (FOR NEW SLAB)

STYLE "RF" (FOR EXISTING SLAB)



STYLE "CIP" (FOR PAVING WITH NEW
SUBSLAB, SAND SETTING BED)

STYLE "AP" (FOR EXISTING SUBSLAB,
GROUT SETTING BED)



NOTES:

OLYMPIC FOUNDRY INC.

TRENCH GRATE FRAMES:

APPROXIMATE WEIGHT:

RATING:

PART NO. SEE ABOVE: