

SPECIFICATIONS

MATERIAL

3-1/2" x 3-1/2" Recycled Plastic or Wood
Seat Frame: 1 piece fully welded frame fabricated with 3/16" x 2" flat bar, 3/16" x 2" x 2" angle, and .120 x 2" x 6" tube. Legs fabricated with .120 x 4" x 4" steel tube. All steel shall conform to ASTM A 36 hot rolled steel and shall be wheelabrated prior to fabrication.

FASTENERS

#14 x 2" SS screws, 3/8 x 1" SS bolts.
Anchor bolts by others.

PROTECTIVE COATINGS

Wood: Clear wood preservative
Metal: All metal, following fabrication shall be cleaned and treated with an iron phosphate process prior to the coating application. This process shall include a non-chromated alkaline cleaner, and an iron phosphate treatment followed with an acidic sealer for maximum adhesion. The protective coatings shall be either polyester or polyester TGIC powder. Following application the parts shall be baked until properly cured. The coating shall be a minimum of 4 mils thick on all surfaces.

Options for finish: Corrosion resistant undercoat, strongly recommended

OPTIONS

Length: 4, 5, 6 and 8ft. standard, other lengths available

Mounting: Permanent embed or surface mount

Recycled Plastic: Grey, cedar, weathered wood, dark brown

Wood: Western red cedar, CVG Douglas Fir, lpe

Embed Mount: See BH-1 embed mount sheet

REV 10-11-12

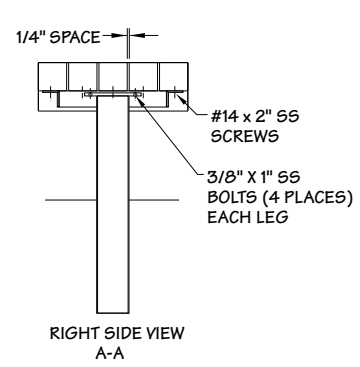
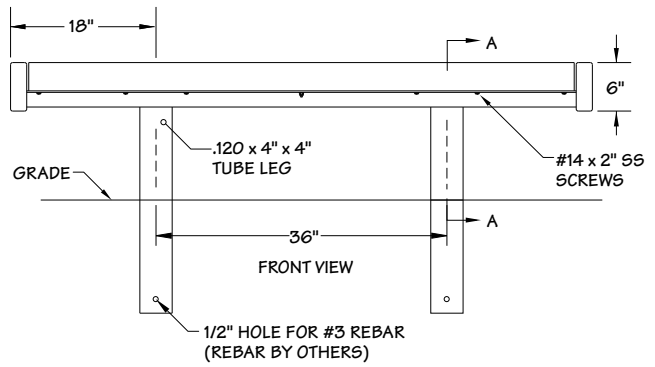
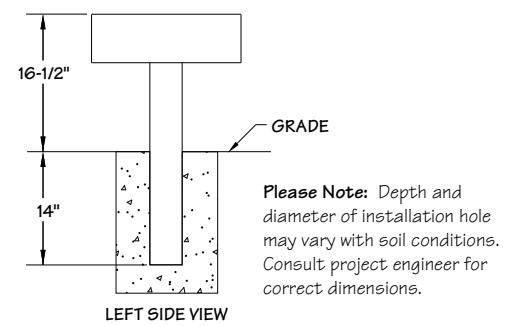
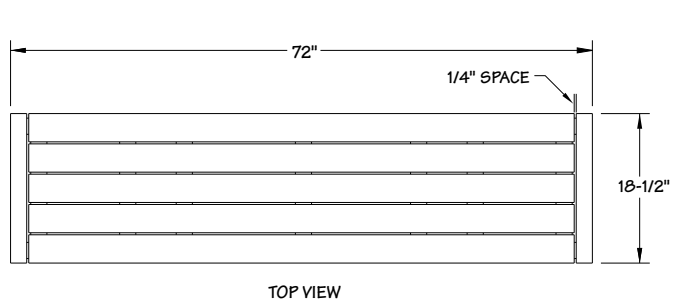
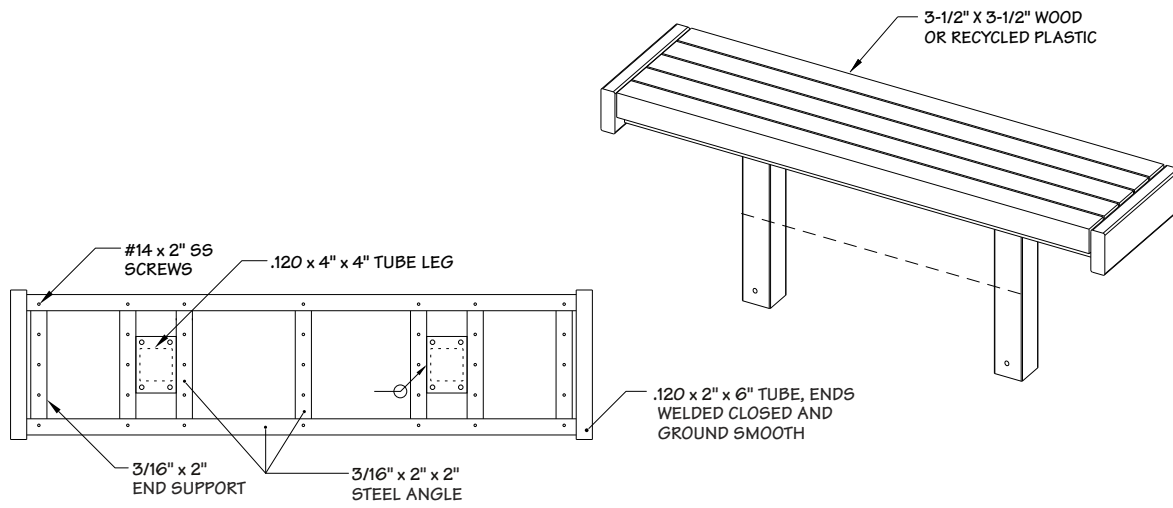
Bohler Series, Model BH-1 Surface Mount Wood or Recycled Plastic Bench

FairWeather Site Furnishings

360-895-2626 or Toll Free 800-323-1798

Port Orchard, Washington

© 1999-2012 Leader International Corporation, FairWeather Site Furnishings division
 Notice: These products are proprietary. Numerous designs are patented or patent pending under Leader Manufacturing, Inc.



REV 10-11-12

SPECIFICATIONS

MATERIAL

3-1/2" x 3-1/2" Recycled Plastic or Wood
Seat Frame: 1 piece fully welded frame fabricated with 3/16" x 2" flat bar, 3/16" x 2" x 2" angle, and .120 x 2" x 6" tube. Legs fabricated with .120 x 4" x 4" steel tube. All steel shall conform to ASTM A 36 hot rolled steel and shall be wheelabrated prior to fabrication.

FASTENERS

#14 x 2" SS screws, 3/8 x 1" SS bolts.
Anchor bolts by others.

PROTECTIVE COATINGS

Wood: Clear wood preservative
Metal: All metal, following fabrication shall be cleaned and treated with an iron phosphate process prior to the coating application. This process shall include a non-chromated alkaline cleaner, and an iron phosphate treatment followed with an acidic sealer for maximum adhesion. The protective coatings shall be either polyester or polyester TGIC powder. Following application the parts shall be baked until properly cured. The coating shall be a minimum of 4 mils thick on all surfaces.

Options for finish: Corrosion resistant undercoat, strongly recommended

OPTIONS

- Length:** 4, 5, 6 and 8ft. standard, other lengths available
- Mounting:** Permanent embed or surface mount
- Recycled Plastic:** Grey, cedar, weathered wood, dark brown
- Wood:** Western red cedar, CVG Douglas Fir, lpe

Surface Mount: See BH-1 surface mount sheet

Bohler Series, Model BH-1 Embed Mount Wood or Recycled Plastic Bench

FairWeather Site Furnishings
 360-895-2626 or Toll Free 800-323-1798
 Port Orchard, Washington
 © 1999-2012 Leader International Corporation, FairWeather Site Furnishings division
 Notice: These products are proprietary. Numerous designs are patented or patent pending under Leader Manufacturing, Inc.