

METRO MT-3 ASSEMBLY		
LENGTH	WOOD	RECYCLE PLASTIC
4' Bench	2 Frames	2 Frames, 1 Support Strap
5' Bench	2 Frames, 1 Support Strap	3 Frames
6' Bench	2 Frames, 1 Support Strap	3 Frames
8' Bench	3 Frames	3 Frames, 2 Support Straps

## SPECIFICATIONS: Metro Series MT-3

### MATERIAL

**Slats:** 9 each wood 1-1/2" x 3-1/2" slats, all edges eased. All slats are 2 inches shorter than nominal size. For example, 6 ft. bench would be 5 ft. 10 in. out to out.

**Frames:** Support frames shall be fabricated with 3/8" x 3" mild steel drilled and formed for quick assembly, fully welded to .120 x 2" x 2" square steel tube. Intermediate straps shall be 3/8" x 2" mild steel.

### FASTENERS

Slats shall be attached to complete frames with 3/8" plated carriage bolts, nuts and washers. Intermediate straps shall be attached to slats with 3/8" lag screws. Assembly hardware provided. Mounting hardware by others.

### PROTECTIVE COATINGS

**Wood slats:** Clear wood preservative

**Recycled plastic slats:** None required.

**Metal:** All metal elements, following fabrication shall be cleaned and treated with an iron phosphate process prior to the coating application. This process shall include a non-chromated alkaline cleaner, and an iron phosphate treatment followed with an acidic sealer for maximum adhesion. The protective coatings shall be either polyester or polyester TGIC powder. Following application the parts shall be baked until properly cured. The coating shall be a minimum of 4 mils thick on all surfaces.

### OPTIONS

**Mountings:** Surface mount or embed

**Length:** 4 to 8 ft. standard, other lengths available

**Wood:** Western red cedar, CVG Douglas Fir, Ipe

**Recycled Plastic:** Grey, cedar, weathered wood, dark brown

**Assembly Hardware:** Lag screws

REV 5-10-10

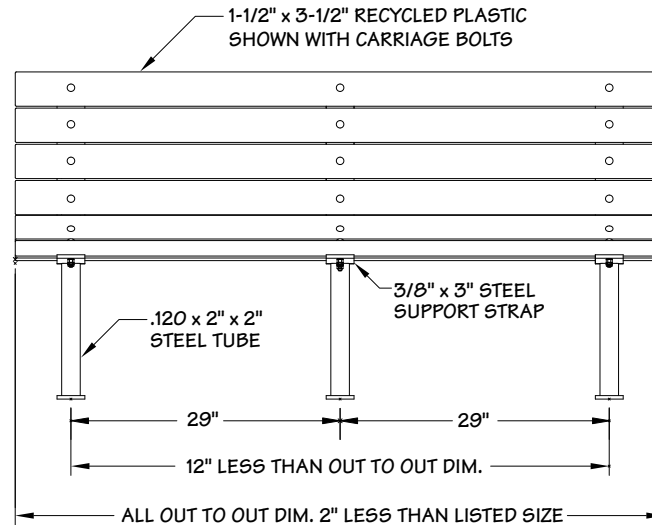
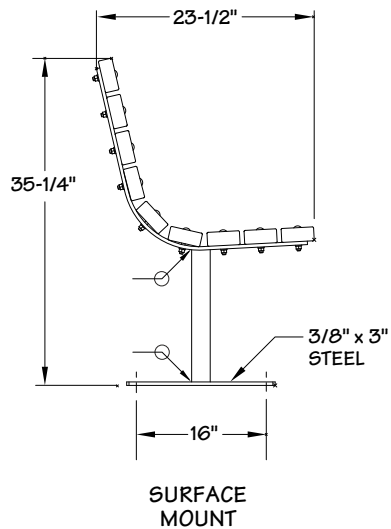
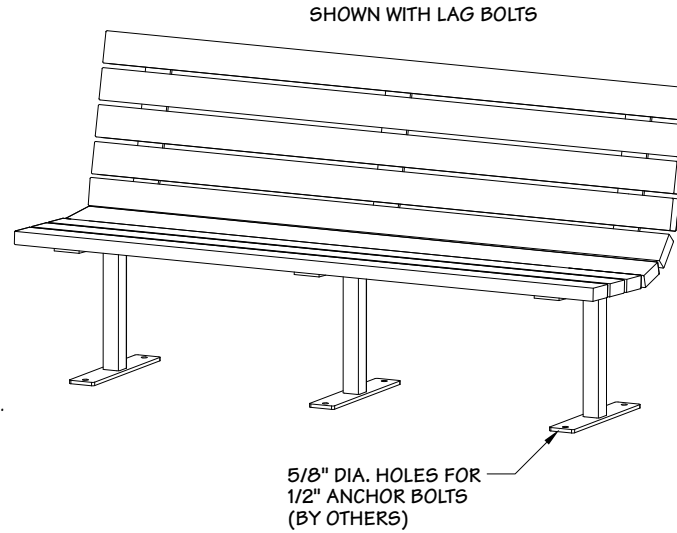
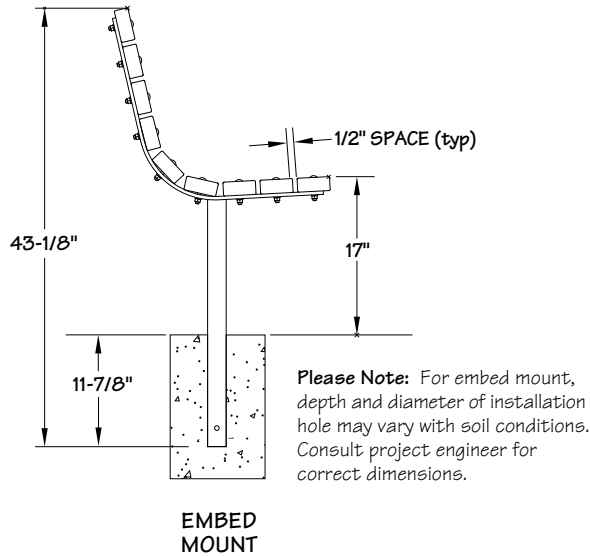
# Metro Series, Model MT-3 Bench

## FairWeather Site Furnishings

360-895-2626 or Toll Free 800-323-1798

Port Orchard, Washington

©1999-2010 Leader International Corporation,  
FairWeather Site Furnishings division



**METRO MT-3P STANDARD ASSEMBLY**

4' Bench	2 Frames	1 Support Strap
5' Bench	3 Frames	
6' Bench	3 Frames	
8' Bench	3 Frames	2 Support Straps

**SPECIFICATIONS: Metro Series MT-3P**

**MATERIAL**

**Slats:** 9 each recycled plastic 1-1/2" x 3-1/2" slats, all edges eased. All slats are 2 inches shorter than nominal size. For example, 6 ft. bench would be 5 ft. 10 in. out to out.

**Frames:** Support frames shall be fabricated with 3/8" x 3" mild steel drilled and formed for quick assembly, fully welded to .120 x 2" x 2" square steel tube. Intermediate straps shall be 3/8" x 2" mild steel.

**FASTENERS**

Slats shall be attached to complete frames with 3/8" plated carriage bolts, nuts and washers. Intermediate straps shall be attached to slats with 3/8" lag screws. Assembly hardware provided. Mounting hardware by others.

**PROTECTIVE COATINGS**

**Wood slats:** Clear wood preservative

**Recycled plastic slats:** None required.

**Metal:** All metal elements, following fabrication shall be cleaned and treated with an iron phosphate process prior to the coating application. This process shall include a non-chromated alkaline cleaner, and an iron phosphate treatment followed with an acidic sealer for maximum adhesion. The protective coatings shall be either polyester or polyester TGIC powder. Following application the parts shall be baked until properly cured. The coating shall be a minimum of 4 mils thick on all surfaces.

**OPTIONS**

**Mountings:** Surface mount or embed

**Length:** 4 to 8 ft. standard, other lengths available

**Wood:** Western red cedar, CVG Douglas Fir, Ipe

**Recycled Plastic:** Grey, cedar, weathered wood, dark brown

**Assembly Hardware:** Lag screws

REV 5-07-10

**Metro Series, Model MT-3P Bench**

**FairWeather Site Furnishings**

360-895-2626 or Toll Free 800-323-1798

Port Orchard, Washington

©1999-2010 Leader International Corporation,  
FairWeather Site Furnishings division