

SPECIFICATIONS

MATERIAL

The B-4-5C2 bollard body shall be fabricated with 5" sch. 10 steel pipe (5.56" OD), The bollard shall have a sphere top, and two decorative reveals, one at the top and one at the bottom. The number of reveals and their location can be changed to complement project designs. All steel shall conform to ASTM A53.

The in ground receiver, for **removable bollard only** shall be fabricated with a 4-1/2" OD steel sleeve welded to a 3" x 5" lockwell.

PROTECTIVE COATINGS

Powder Coating: Following fabrication bollards shall be cleaned and treated with an iron phosphate process prior to the coating application. The protective coatings shall be either polyester or polyester TGIC powder. Following application the parts shall be baked until properly cured. The coating shall be a minimum

of 4 mils thick on all surfaces. **Options for finish:** Corrosion resistant undercoat, strongly recommended

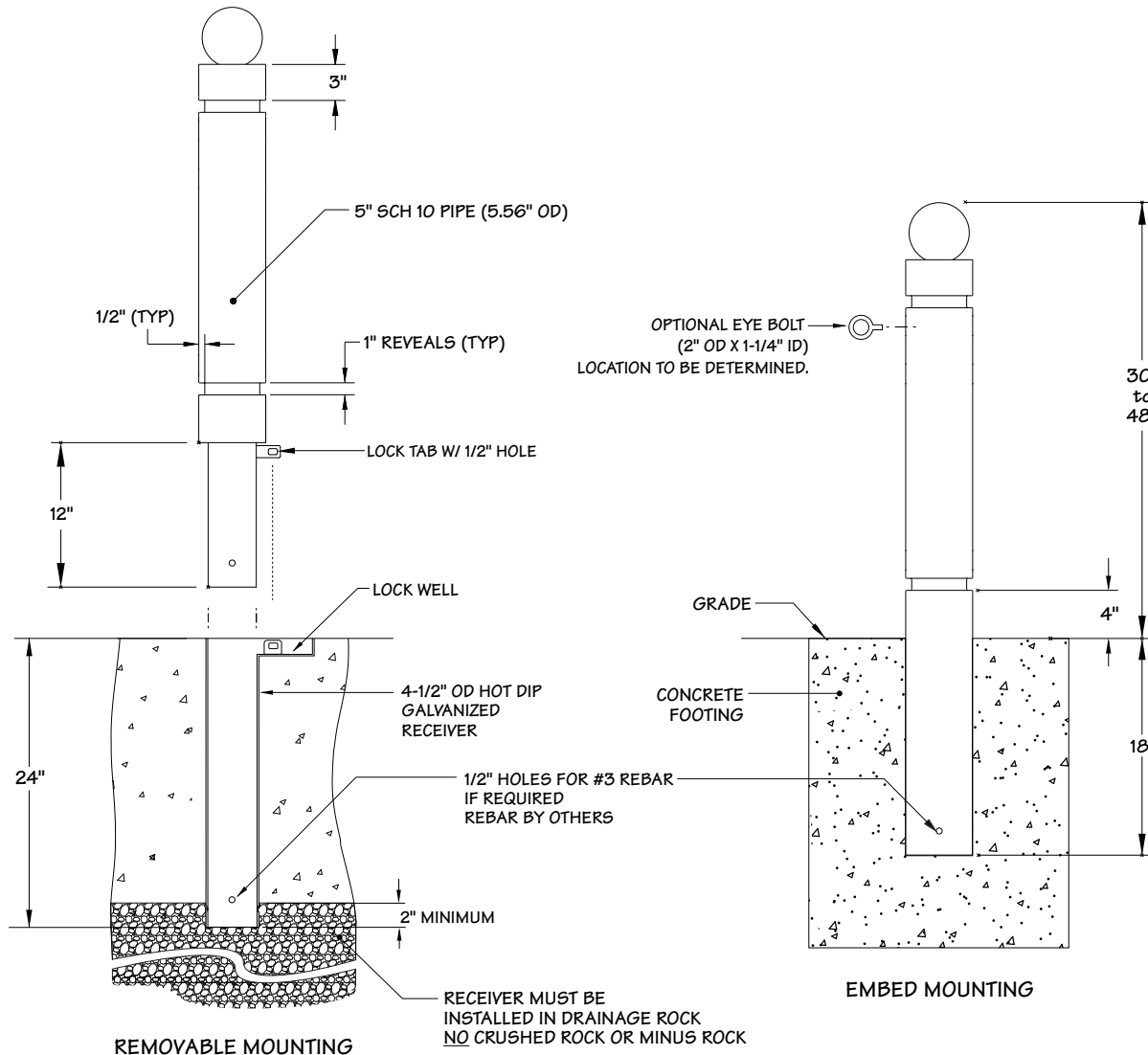
Note: Unless otherwise specified, bollards shall be powder coated a standard FairWeather color.

Hot Dip Galvanizing: Following fabrication, the receivers shall be hot dip galvanized to standard ASTM A123, 3 to 4 mils thick.

Options: Sch 40 or Sch 80 pipe, eye bolts, number of reveals
On removable bollards: receiver cover, lock well cover and padlock
Mounting: Surface, removable or embed

NOTE:

1. Depth and diameter of installation hole may vary with soil conditions. Consult project engineer for correct dimensions.
2. **REMOVABLE BOLLARDS ONLY: Receiver must be installed in drainage rock. No crushed or minus rock**
Due to soil conditions the amount of drainage needed could vary from as little as 8 inches to 2 feet or more. **Improper installation will void the warranty**



REV 07-16-13

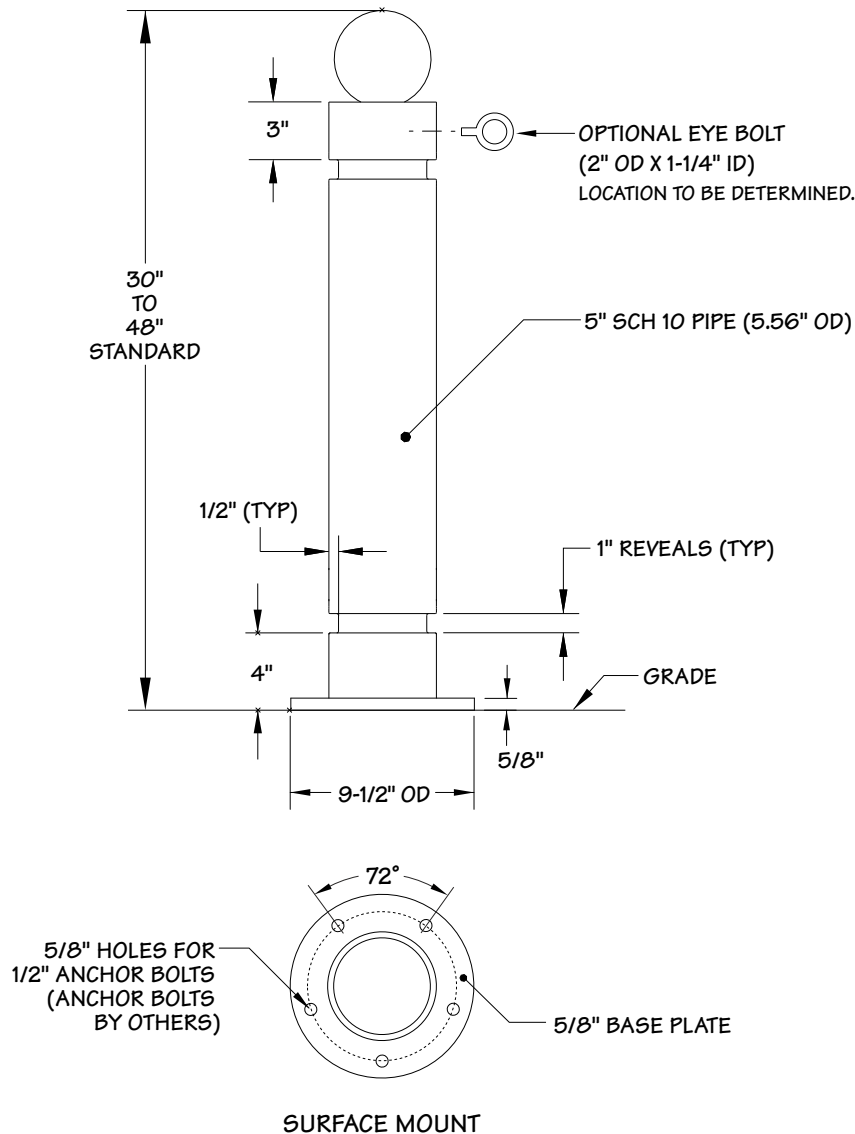
Model B-4-5C2, 6" Bollard with Sphere Top Two Reveals, Top and Bottom

FairWeather Site Furnishings

360-895-2626 or Toll Free 800-323-1798

Port Orchard, Washington

©1999-2013 Leader International Corporation, FairWeather Site Furnishings division
Notice: These products are proprietary. Numerous designs are patented or patent pending under Leader Manufacturing, Inc.



SPECIFICATIONS

MATERIAL

The B-4-5C2 bollard body shall be fabricated with 5" sch. 10 steel pipe (5.56" OD), The bollard shall have a dome top, and two decorative reveals, one at the top and one at the bottom. The number of reveals and their location can be changed to complement project designs. 5/8" x 9-1/2" base plate shall be welded to bottom of bollard. Steel shall conform to ASTM A53.

PROTECTIVE COATINGS

Powder Coating: Following fabrication bollards shall be cleaned and treated with an iron phosphate process prior to the coating application. This process shall include a non-chromated alkaline cleaner, and an iron phosphate treatment followed with an acidic sealer for maximum adhesion. The protective coatings shall be either polyester or polyester TGIC powder. Following application the parts shall be baked until properly cured. The coating shall be a minimum of 4 mils thick on all surfaces.

Options for finish: Corrosion resistant undercoat, strongly recommended

Note: Unless otherwise specified, bollards shall be powder coated a standard FairWeather color.

Options: Sch 40 or Sch 80 pipe, eye bolts, number of reveals

REV 07-16-13

Model B-4-5C2, 6" Bollard with Surface Mount Option

FairWeather Site Furnishings

360-895-2626 or Toll Free 800-323-1798

Port Orchard, Washington

©1999-2013 Leader International Corporation, FairWeather Site Furnishings division
Notice: These products are proprietary. Numerous designs are patented or patent pending under Leader Manufacturing, Inc.