

## SPECIFICATIONS

### MATERIAL

The B-6 bollard is fabricated with 5" .120 wall square steel tube fully welded to a 1/2 x 6" square steel top. Four 1/2" x 3-1/2" separate steel panels are attached with two vandal resistant 1/2" stainless steel pinned buttonhead bolts. Steel shall conform to ASTM A36 and A500.

### PROTECTIVE COATINGS

**Powder Coating:** Following fabrication bollards shall be cleaned and treated with an iron phosphate process prior to the coating application. The protective coatings shall be either polyester or polyester TGIC powder. Following application the parts shall be baked until properly cured. The coating shall be a minimum of 4 mils thick on all surfaces.

**Options for finish:** Corrosion resistant undercoat, strongly recommended

**Hot Dip Galvanizing on Receivers:** Following fabrication, the receivers (removable bollards only) shall be hot dip galvanized to standard ASTM A123, 3 to 4 mils thick.

**Note:** Unless otherwise specified, bollards shall be powder coated a standard FairWeather color.

**Options:** eye bolts, switch or outlet cut-outs  
**Options for panels:** recessed detailing on steel panels

**Materials:** lpe, red cedar, Douglas Fir  
**On removable bollards:** receiver cover, lock well cover and brass padlock

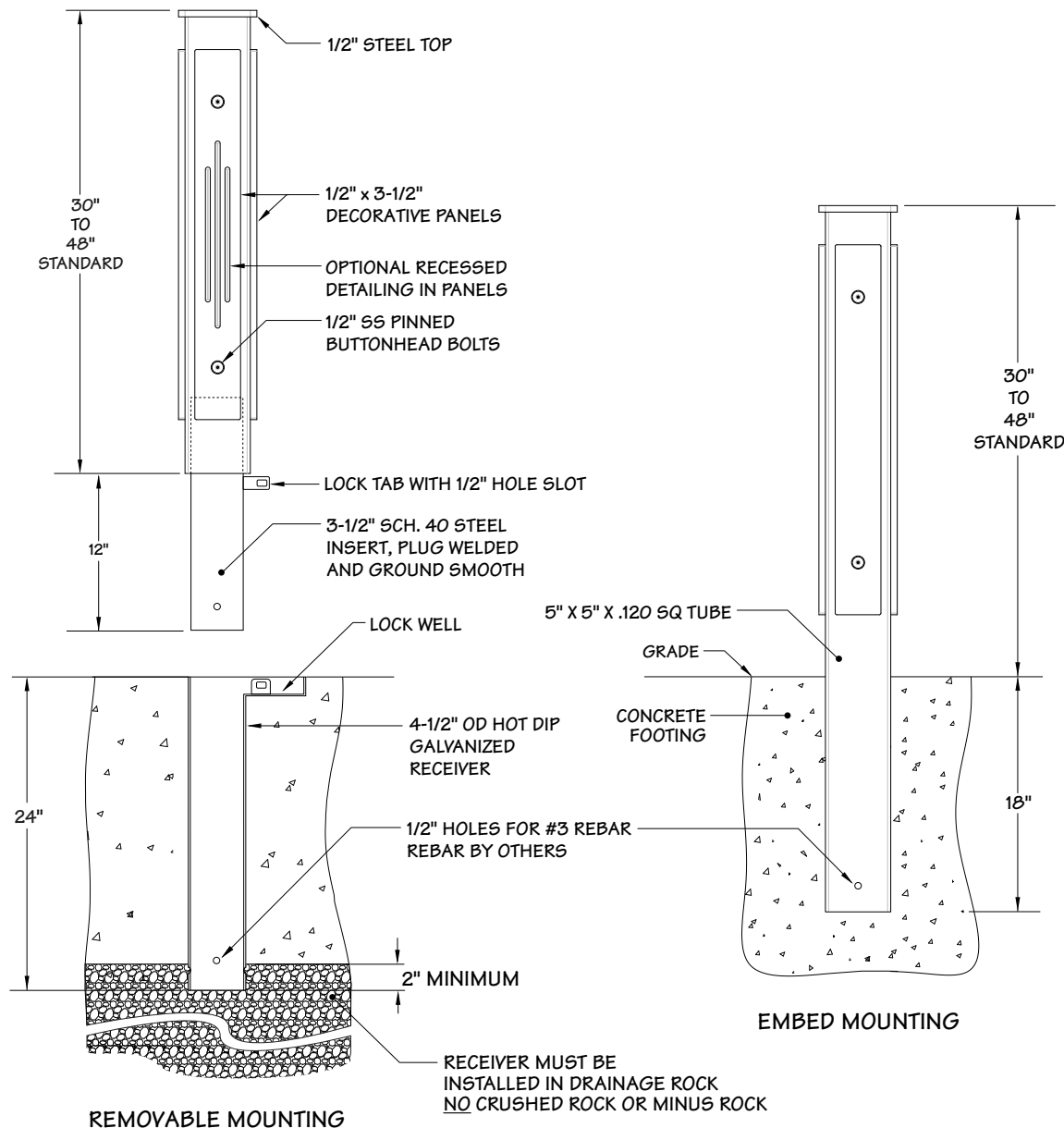
**Mounting:** Surface, removable or embed

### NOTE:

1. Depth and diameter of installation hole may vary with soil conditions. Consult project engineer for correct dimensions.

2. **REMOVABLE BOLLARDS ONLY: Receiver must be installed in drainage rock. No crushed or minus rock**  
 Due to soil conditions the amount of drainage needed could vary from as little as 8 inches to 2 feet or more.

**Improper installation will void the warranty**



REV 01-31-13

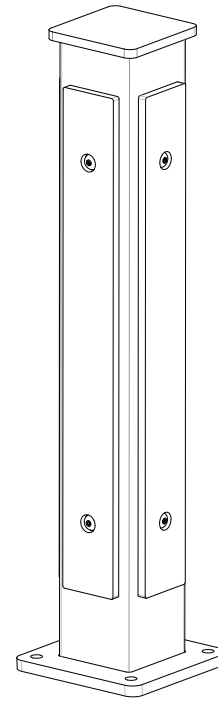
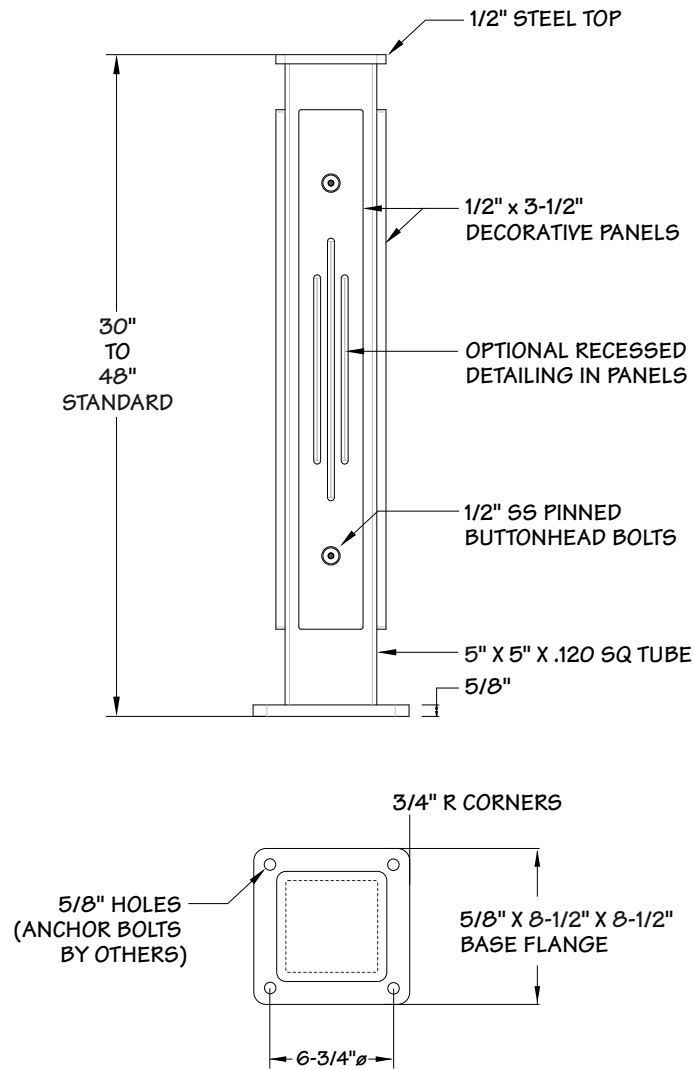
## Model B-6 Bollards

## FairWeather Site Furnishings

360-895-2626 or Toll Free 800-323-1798

Port Orchard, Washington

©1999-2013 Leader International Corporation, FairWeather Site Furnishings division  
 Notice: These products are proprietary. Numerous designs are patented or patent pending under Leader Manufacturing, Inc.



## SPECIFICATIONS

### MATERIAL

The B-6 bollard is fabricated with 5" .120 wall square steel tube fully welded to a 1/2 x 6" square steel top. Four 1/2" x 3-1/2" separate steel panels are attached with two vandal resistant 1/2" stainless steel pinned buttonhead bolts. Surface mount bollards shall be fully welded to a 5/8" x 8 1/2" square steel flange with 5/8" holes for 1/2" anchor bolts. **Anchor bolts by others.** Steel shall conform to ASTM A36 and A500.

### PROTECTIVE COATINGS

**Powder Coating:** Following fabrication bollards shall be cleaned and treated with an iron phosphate process prior to the coating application. The protective coatings shall be either polyester or polyester TGIC powder. The coating shall be a minimum of 4 mils thick on all surfaces.

**Options for finish:** Corrosion resistant undercoat, strongly recommended

**Note:** Unless otherwise specified, bollards shall be powder coated a standard FairWeather color.

**Options:** eye bolts, switch or outlet cut-outs

**Options for panels:** recessed detailing on steel panels

**Materials:** lpe, red cedar, Douglas Fir

REV 01-29-13

## B-6 Bollard with Surface Mount Option

### FairWeather Site Furnishings

360-895-2626 or Toll Free 800-323-1798

Port Orchard, Washington

©1999-2013 Leader International Corporation, FairWeather Site Furnishings division  
 Notice: These products are proprietary. Numerous designs are patented or patent pending under Leader Manufacturing, Inc.